

# Preparation unit——GA Series

## GAL100 Series Lubricator



### Symbol



### Specification

Model	GAL100M5	GAL10006
Fluid	Air	
Port size [Note1]	M5	1/8"
Pressure range	0.05~0.9MPa(7~130psi)	
Proof pressure	1.5MPa(215psi)	
Temperature range	-5~70°C(Unfreeze)	
Recommended lubricant	ISO VG 32 or equivalent	
Capacity of oil bowl	9CC	
Weight	59g	

[Note1] NPT thread is available.

### Ordering code

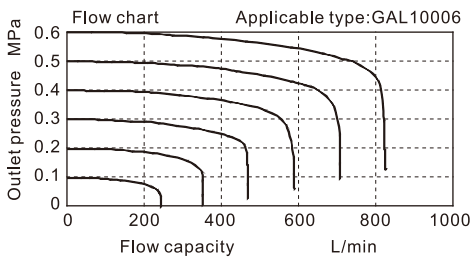
GAL100 □ 06 J T

① ② ③ ④ ⑤

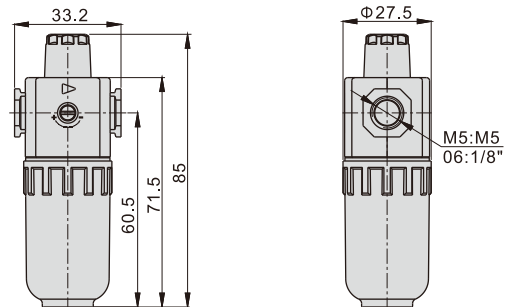
① Model	② Bowl material	③ Port size	④ Accessories	⑤ Thread type[Note1]
GAL100: GA100 Lubricator	Blank : PC	M5: M5 06: 1/8"	J : No bracket	T: NPT

[Note 1] Standard M5 thread is blank here.

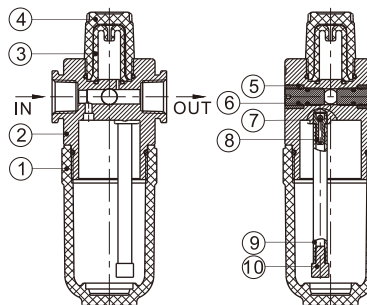
### Flow chart



### Dimensions



### Inner structure



No.	Item	Material
1	Oil bowl	PC
2	Body	Aluminum alloy
3	Drip pipe	PC
4	Sight window	PC
5	Adjusting screw	Brass
6	Fixing nut	Brass
7	Steel ball	Stainless steel
8	Tube nozzle	Brass
9	Tube	PU
10	Lubricant filter	Sintered bronze